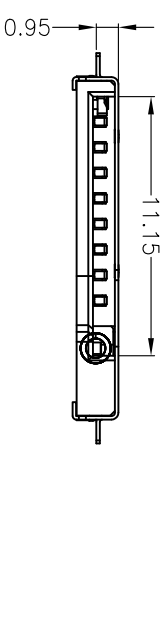
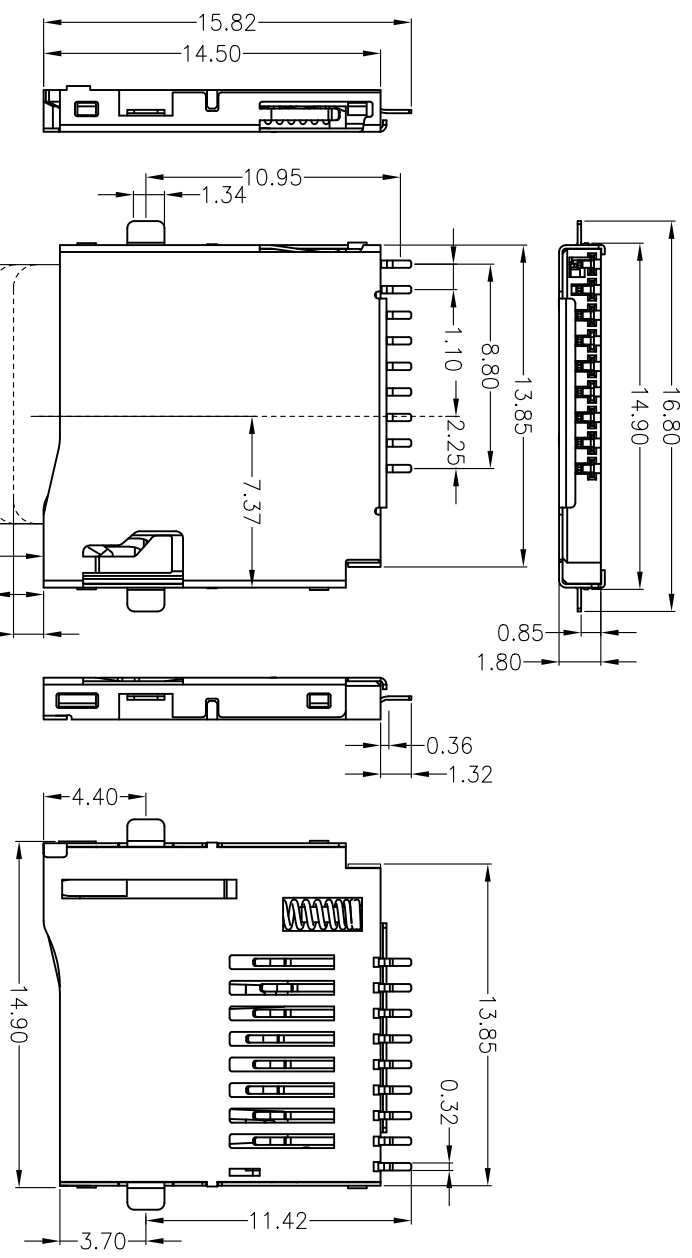
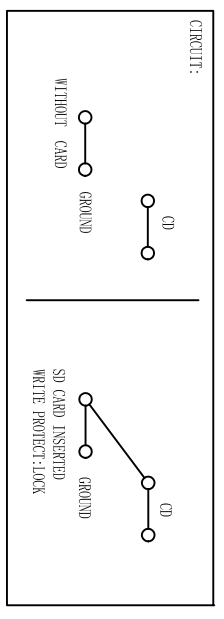


REV	DESCRIPTION	ECN NO	DATE



- NOTES :
- Material :
Housing/Slide : High temperature thermoplastic UL94-V0
Micro-SD Terminal : Copper Alloy
Micro-SD C/D PIN & GND PIN : Copper Alloy
Micro-SD Lock Pin : Stainless.
Cover : Stainless.
Hook/Spring : Stainless.
 - Finish :
Terminal :
Underplate : Ni over all.
Solder tail : Lead Free over Ni plate.
Contact/Auxiliary Ni plate.
C/D PIN & GND PIN :
Underplate : Ni over all.
Solder tail : Lead Free over Ni plate.
Contact/Auxiliary Ni plate.
Cover :
Underplate : Ni over all.
Solder tail : Au over Ni plate.
Solder tail Coplanarity Must Be Within 0.10 mm.
4.C/D : Card Detect Switch.
5.GND : Ground
6.Solder Tail Burr Must Be Within 0.10Max
7.Signal Terminal Contact Area Will Be Smooth
8.There can't be things to press and hold on the products surface

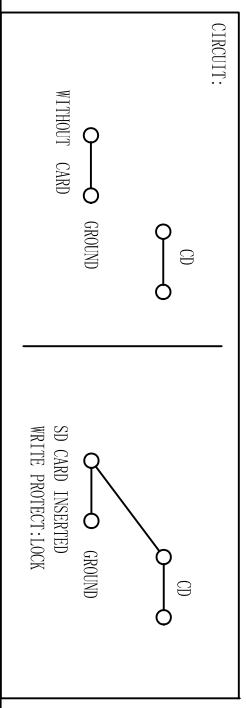
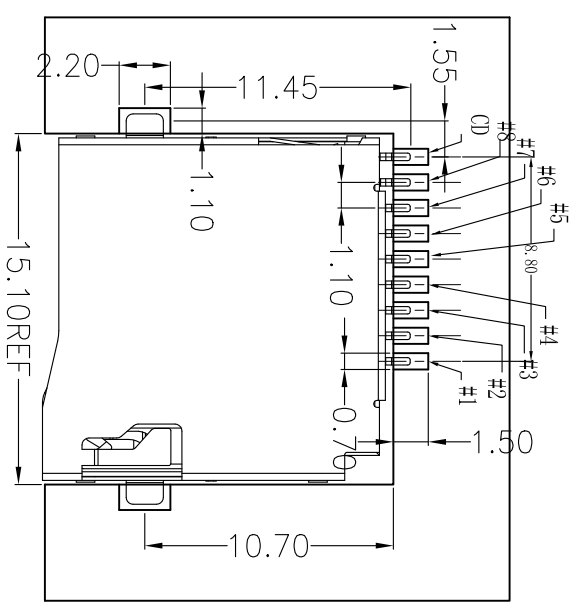


JIXING TECHNOLOGY CO.,LTD

GENERAL TOLERANCES (UNLESS SPECIFIED)		DIMENSION STYLE MM ONLY		TITLE:	
XX	±0.25	DRAWN BY:	DATE	T-Flash Card Push (H=1.50) 带柱	
		Frank	11-7-9		
XX	±0.15	CHECKED BY:	DATE		
X.XXX	±0.05	APPERIAL BY:	DATE		

PART NO:	TF-003	SIZE:	A4	SCALE:	1 OF 1
THIRD ANGLE PROJECTION					

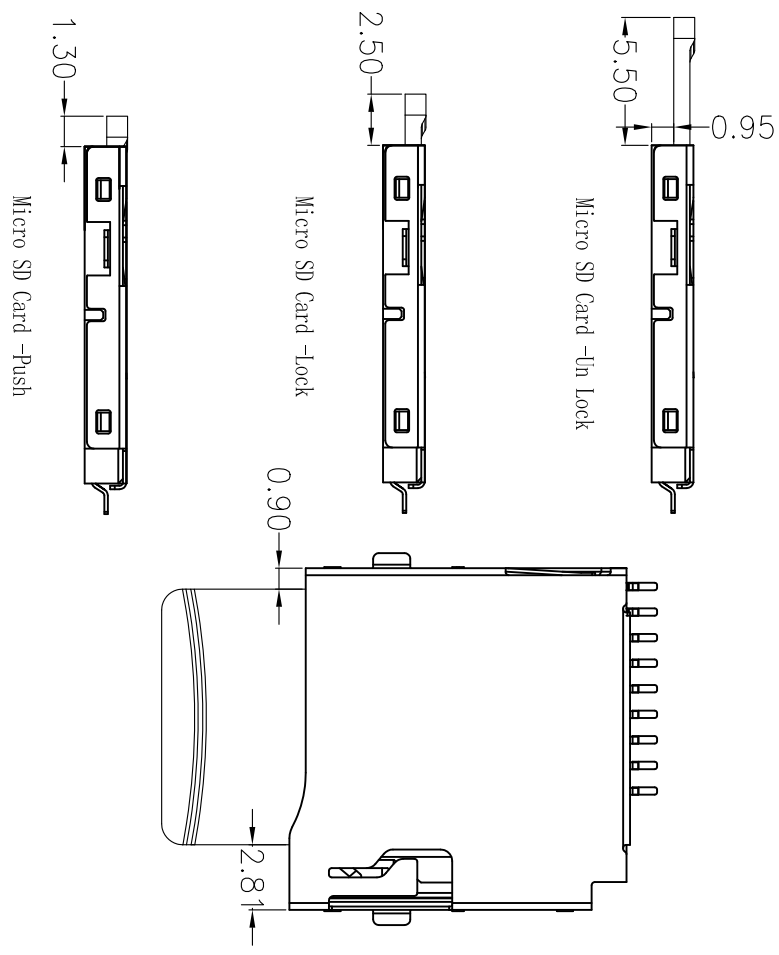
RECOMMEND PCB LAYOUT:
 (Unit:mm . X ± 0.15 . XX ± 0.05 . XXX ± 0.02)



PIN NO.	PIN ASSIGNMENT
1#	DATA2 信号
2#	CD/DAT3 信号
3#	CMD 数据输入
4#	VDD 电压/电源
5#	CLK 时钟
6#	VSS 接地
7#	DAT0 信号
8#	DAT1 信号
CD	检测端

REV	DESCRIPTION	ECN NO	DATE

T-FLASH Card Insert Drawing:



GENERAL TOLERANCES (UNLESS SPECIFIED)		DIMENSION STYLE MM ONLY		TITLE:		PART NO:		SIZE:		SCALE:		SHEET NO:	
XX	±0.25	DRAWN BY:	DATE	T-Flash Card Push (H=1.50) 带柱		TF-003		A4	---	1 OF 1			
XXX	±0.15	CHECKED BY:	DATE										
XXXX	±0.05	APPROVAL BY:	DATE										

JIXING TECHNOLOGY CO., LTD