

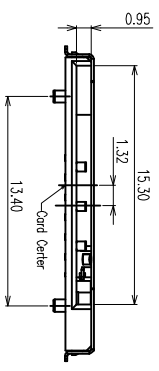
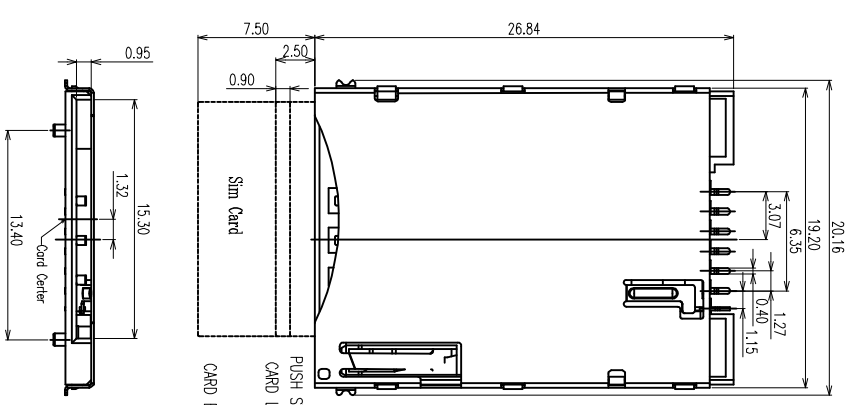
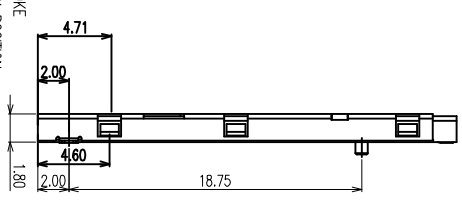
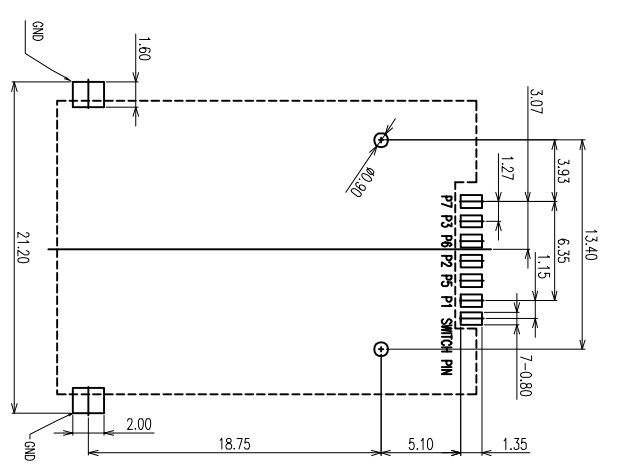
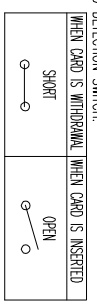
REV	DESCRIPTION	ECN NO	DATE

Specification:

- *Electrical Characteristics:
 - Current Rating:0.5A
 - Withstanding Voltage:AC500V r.m.s.
 - Insulation Resistance:1000Megaohms Minimum at DC 500V
 - Contact Resistance:100Milliohms Maximum.
 - *Mechanical Characteristics:
 - Mating Cycles:3000 Insertions.
 - *Environment:
 - Operating Temperature:-40To+60°
 - *Material:
 - 1.Housing:HI-Temp plastic UL 94V-0 Rated.
 - 2.Contact:Copper Alloy.
 - 3.Shell:SUS.
 - *Finish :
 - 3U" Gold plated on contact area,100u"Min Tin plated on solder tails, Base Nickel .50u"Min
 - ▽DENOTES MAJOR DIMENSION MEASUREMENT REQUIRED
- THE PRODUCT ACCORD WITH THE REGULATION OF ROHS AND "MANAGEMENT REGULATIONS FOR THE ENVIRONMENT RELATED SUBSTANCES AND MATERIALS"

CONNECTOR TERMINAL NO.	PIN NO.
PIN 1	VCC : PWR SIGNAL AND GND
PIN 2	RST : RESET SIGNAL
PIN 3	CLK : CLOCKING SIGNAL
PIN 5	GND : PWR SIGNAL AND GND
PIN 6	VPP : PROGRAMMING VOLTAGE
PIN 7	I/O : SERIAL DATA INPUT/OUTPUT

CARD DETECTION SWITCH:



ITEM#	NAME	Q'TY/EA	MATERIAL/FINISHED	REMARK
1	HOUSING	1	THERMOPLASTIC UL94V-0 BLACK	
2	CONTACT	6	COPPER ALLOY, AU PLATED	
3	SPRING	1	SUS 301	
4	SLIDER	1	THERMOPLASTIC UL94V-0 BLACK	
5	SHELL	1	SUS301	
6	STAMPLE	1	SUS301	

深圳市吉兴科技有限公司
JIXING TECHNOLOGY CO.,LTD

GENERAL TOLERANCES (UNLESS SPECIFIED)	DIMENSION STYLE
X.X ±0.25	MM ONLY

DATE	DATE	DATE
CHECKED BY: YANG	2009-6-25	APPERIAL BY: DATE
DRAWN BY: Ye song	2009-6-25	

TITLE:	PART NO:	SIZE:	SCALE:	SHEET NO:
SIM CARD CONNECTOR PUSH-PUSH 7PIN	SIM-010	A4	1:1	1 OF 1